

## IH-02 IEPE Instrumented Impact Hammer

Measuring range 2000N



The IH-02 impact hammer belongs to a range of general purpose hammers used for structural health testing, resonance determination and modal analysis. Ideal for medium sized structures the IH-02 has a range of 2000N.

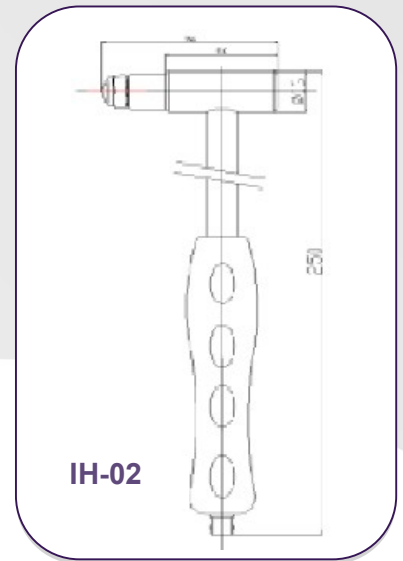
Included within the hammer is a piezoelectric IEPE force sensor in which directly outputs a voltage signal.

Each hammer is supplied as a kit including a cable and a variety of tips able to suit a variety of testing requirements.

The IH-02 has a BNC terminating connector

Impact pulse width and frequency response is different with different hammer heads and tips. It should be based on actual tests.

H-02	Metric	Imperial
Sensitivity ( $\pm 10\%$ )	2.5mV/N	11.15mV/lbf
Measuring Range	2000N	449.61lbf
Non-linearity	$\leq 1\%$	
Resolution	50mN(rms)	
Resonant Frequency	$\geq 55\text{kHz}$	
Low Frequency	1Hz	
Hammer head Weight	80gm	2.8oz
Hammer weight (total)	165gm	5.8oz
Hammer Head $\varnothing$	16mm	0.63in
Hammer Length	250mm	9.84in
Output Connector	BNC	
Tips Supplied	Rubber, nylon, aluminium, steel	
Excitation voltage	+18 to +28V	
Constant Current	2-10mA	
Bias Voltage	10-14VDC	
Output Impedance	$\leq 100\Omega$	



### Options

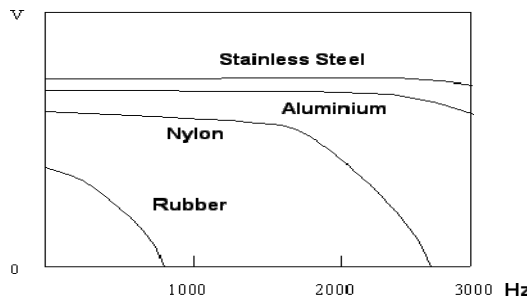
- IH-01-50 50N
- IH-01 200N
- IH-02 2000N
- IH-05 5000N
- IH-10 10000N
- IH-20 20000N
- IH-50 50000N

Other options include a wide range of accelerometers and cabling to suit any type of structural test.

### Typical Frequency Response

Pulse width and frequency response vary with hammerhead materials.

This drawing is for reference.



### Tips included



Please note: For information and reference only. Data should not be used as pass/fail criteria for calibration purposes.

### DJB Instruments (UK) Ltd

Finchley Avenue,  
Mildenhall, Suffolk IP28 7BG

Tel +44 (0)1638 712 288  
Email sales@djbinstruments.com  
Web www.djbinstruments.com

DJB Iss.2.2020



ISO 9001 – 00025363

A UK company with UK-based manufacturing, assembly and calibration in-house.